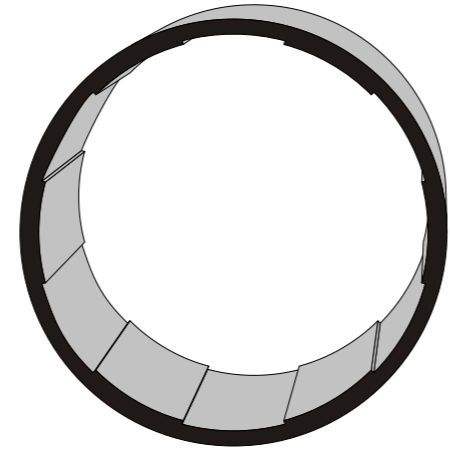
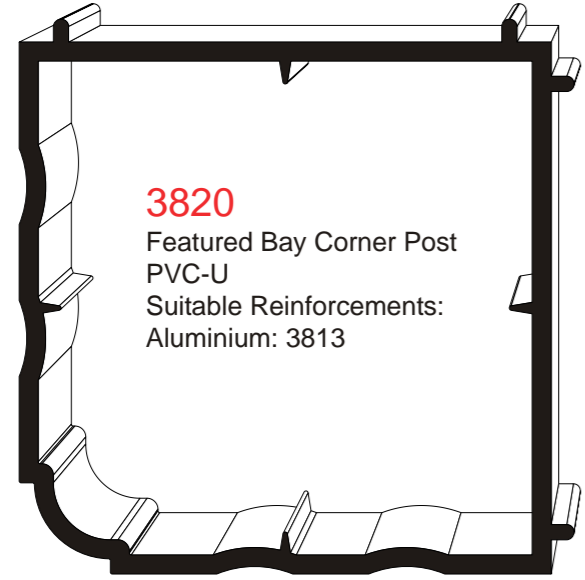
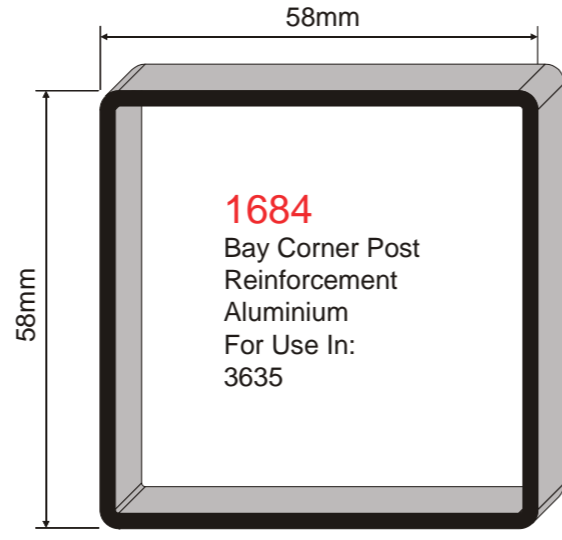
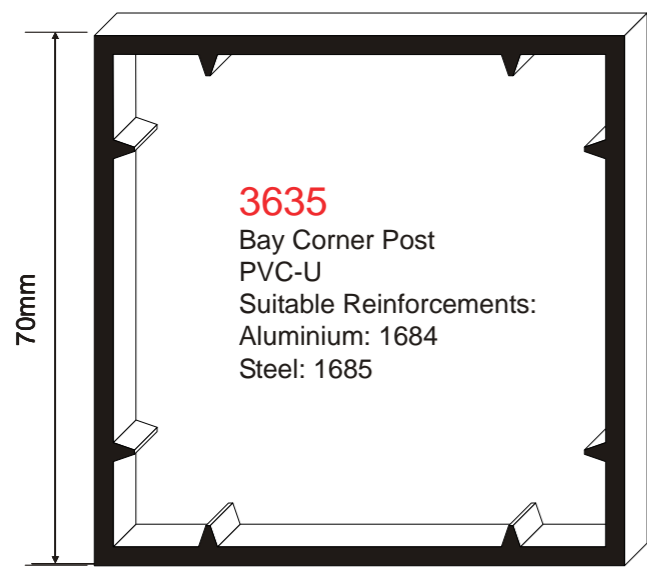
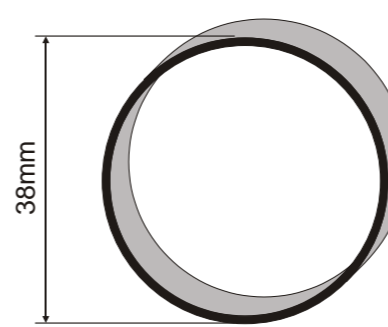
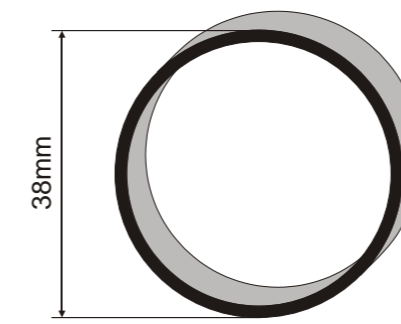
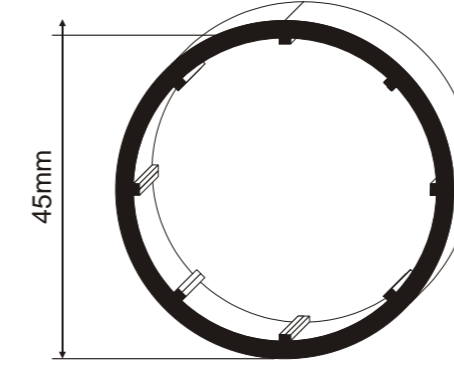
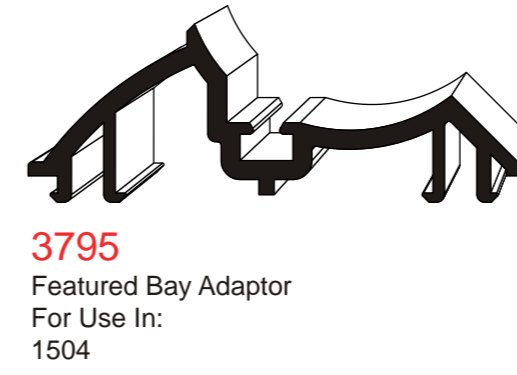


Diamond 70mm Structural Ancillaries

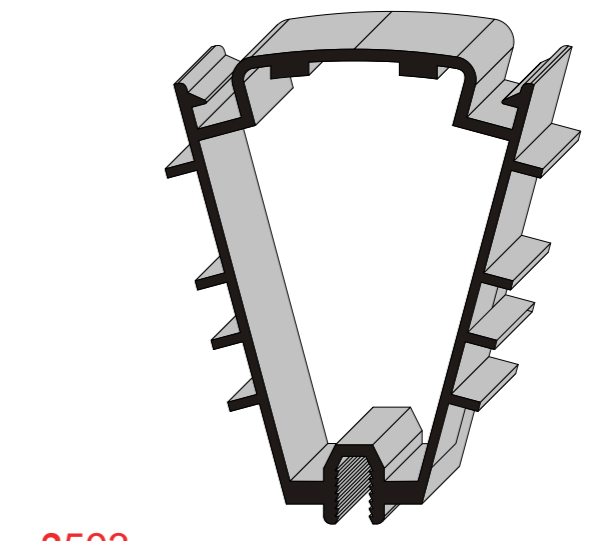
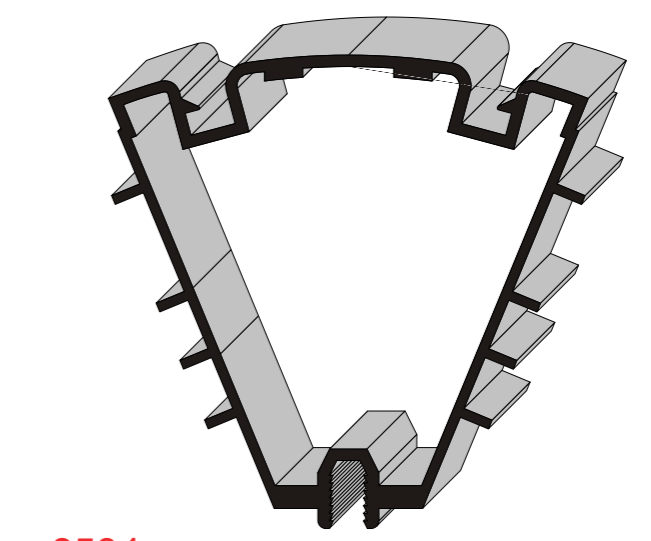
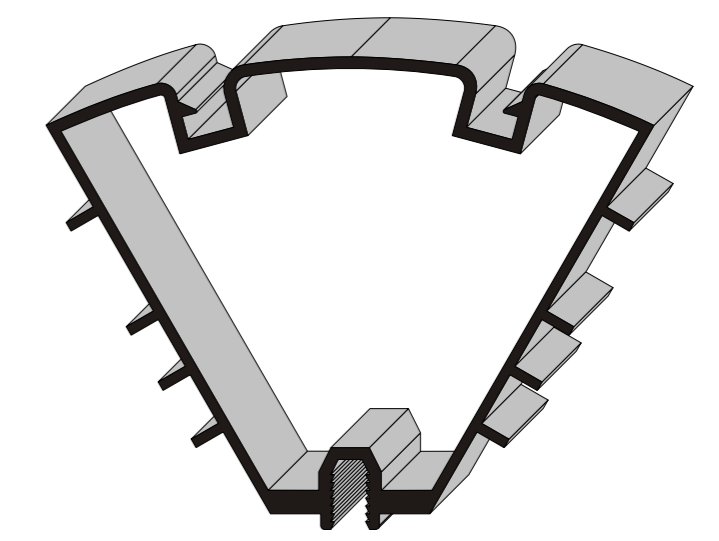
Square Post Components.



Bay Pole Components.

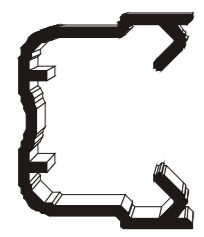


Fixed Angle Bay components.

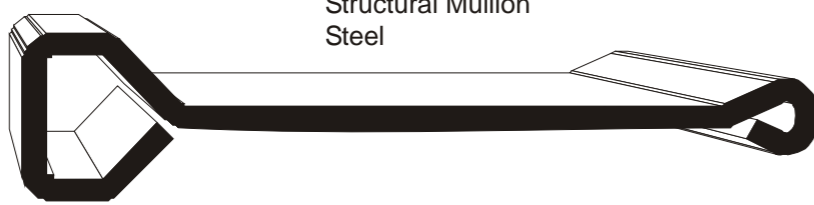


Structural Couplers

3965
Internal Cover
PVC



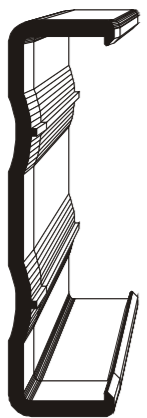
3912
Structural Mullion
Steel



3967
External Cover
PVC



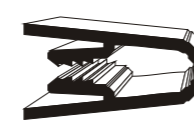
3964
Internal Cover
PVC



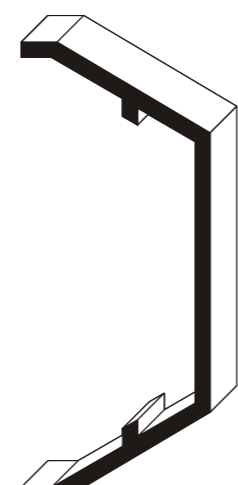
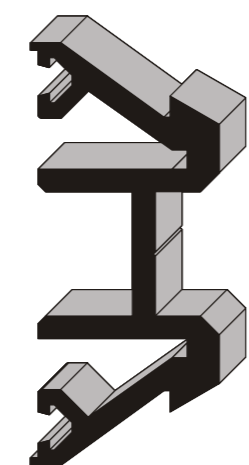
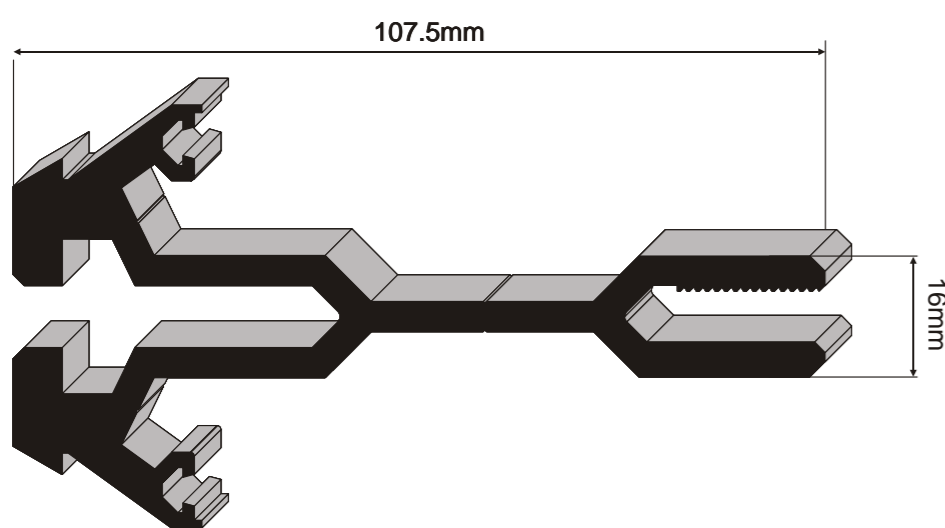
3909
Structural Mullion
Aluminium



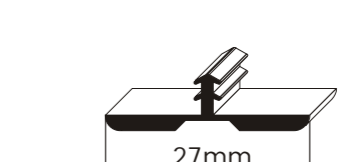
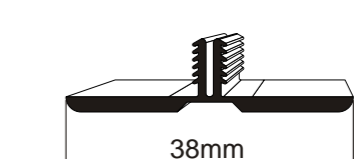
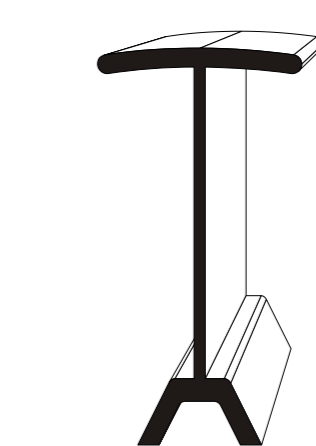
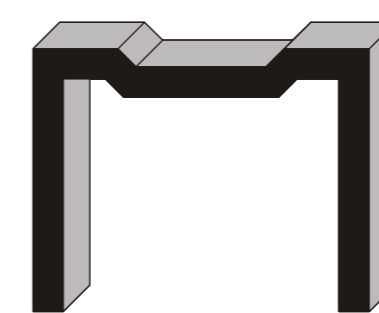
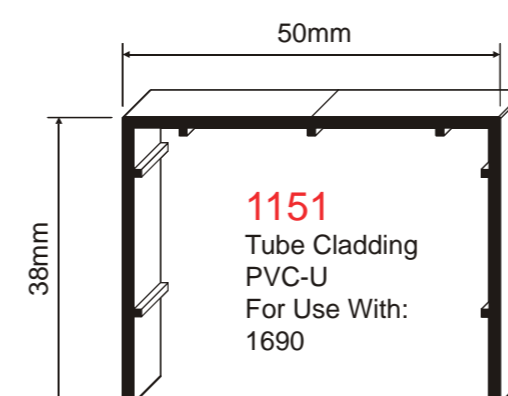
3963
External Cover
PVC



ABOVE COUPLING OPTIONS TO BE LAUNCHED IN SEPTEMBER.

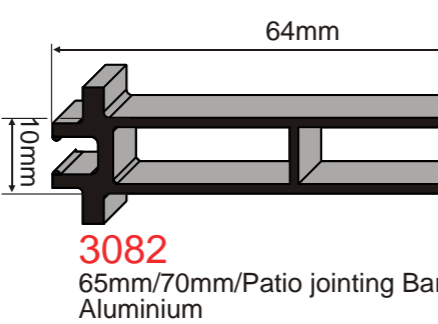
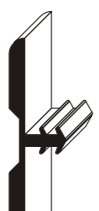


Bracer bar

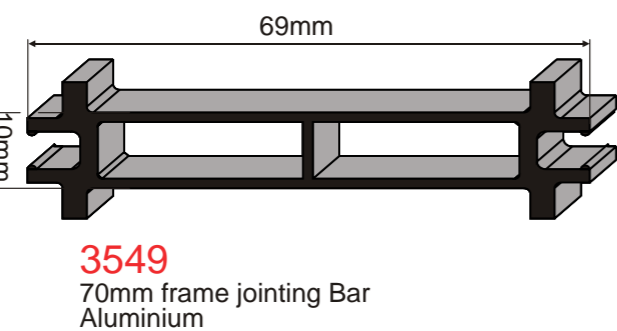
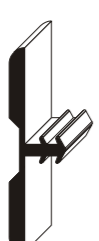


Coupling Options.

3038
Inner Cover
PVC-U



3550
70mm to Patio
Joint cover PVC-U



3038
Inner Cover
PVC-U

For more detailed information on all the products on this sheet please refer to the 70mm fabrication manual.

Main Profiles
This A1 chart is designed to be used in conjunction with a second A1 chart depicting all main profiles.

A1