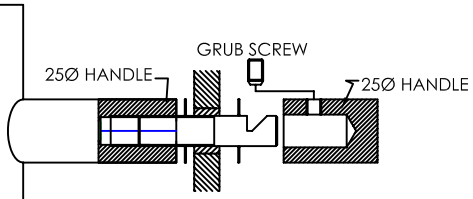
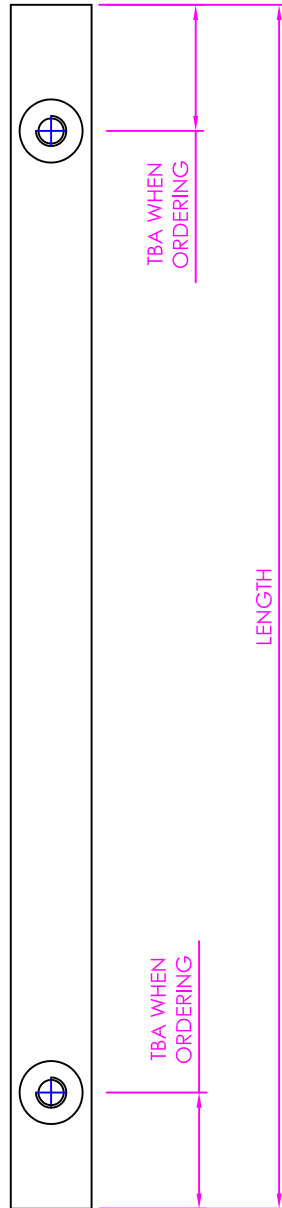


THIRD ANGLE PROJECTION

RevNo	Revision note	Date	Signature	Checked
-------	---------------	------	-----------	---------



F21 FIXINGS FOR 25Ø HANDLE
M12-55mm WITH M6 GRUB SCREW



MATERIAL SPEC:-
ALUMINIUM: 6063T4
STAINLESS STEEL: GRADE 316
WALL THICKNESS: 1.5mm

STRAIGHT PULL HANDLE

SSS = SATIN STAINLESS STEEL
SAA = SATIN ANODISED ALUMINIUM
PSS = POLISHED STAINLESS STEEL
PC = POWDER COATED } AVAILABLE IN ANY RAL. COLOUR
NC = NYLON COATED }
MILL = MILL FINISH

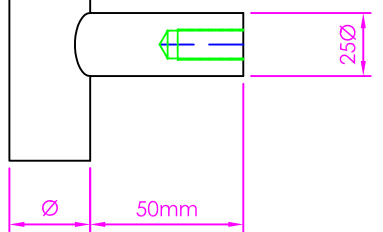
AVAILABLE IS 32mmØ, 38mmØ & 50mmØ

ALL HANDLES ARE M12 FIXINGS

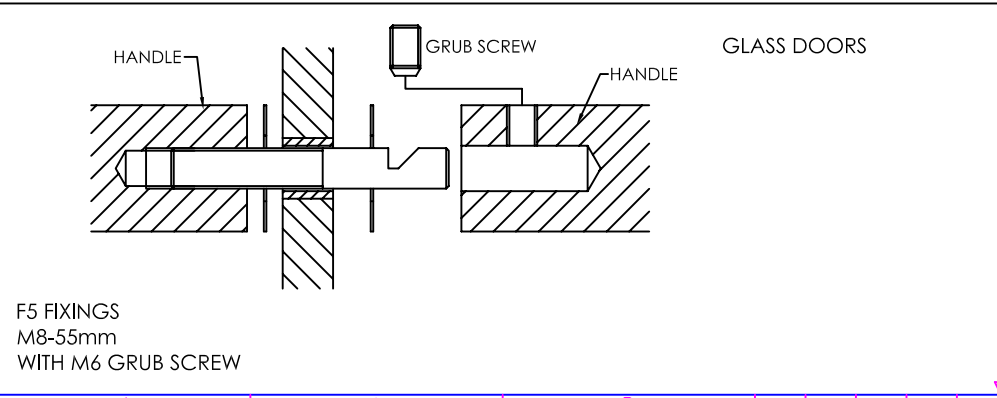
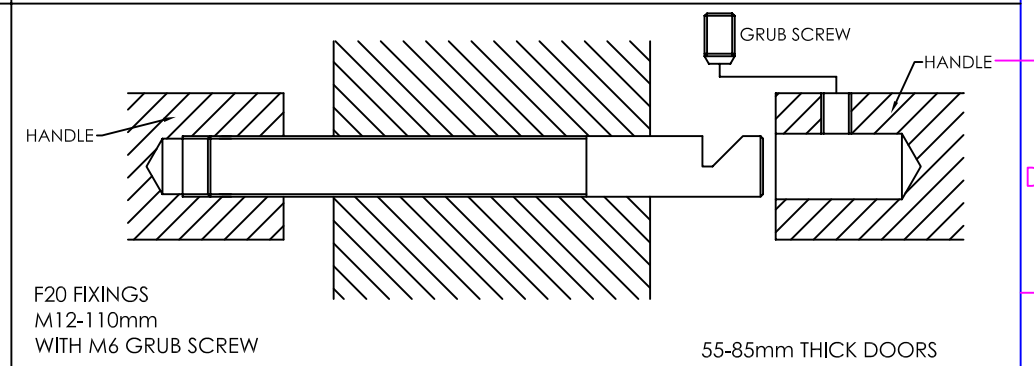
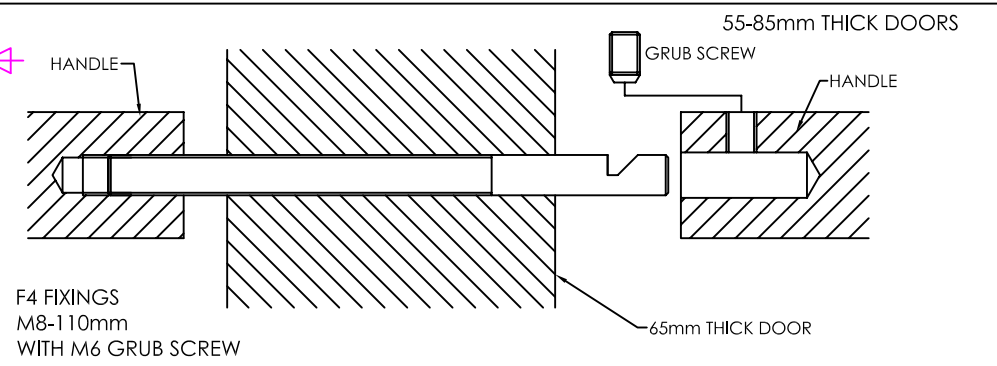
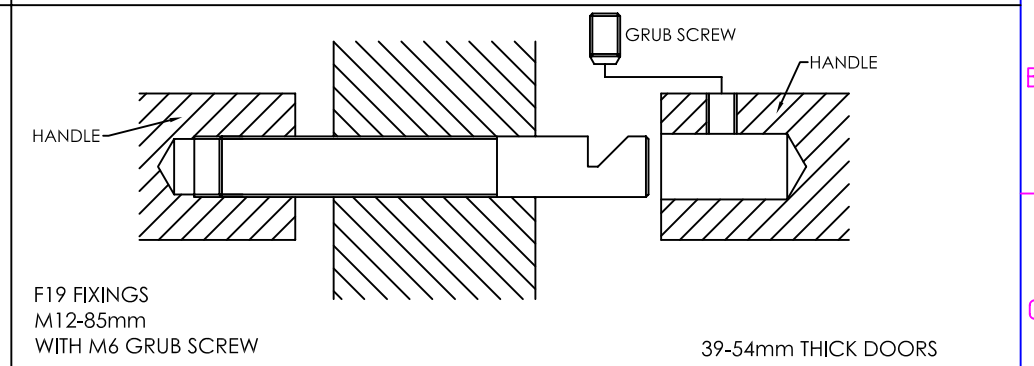
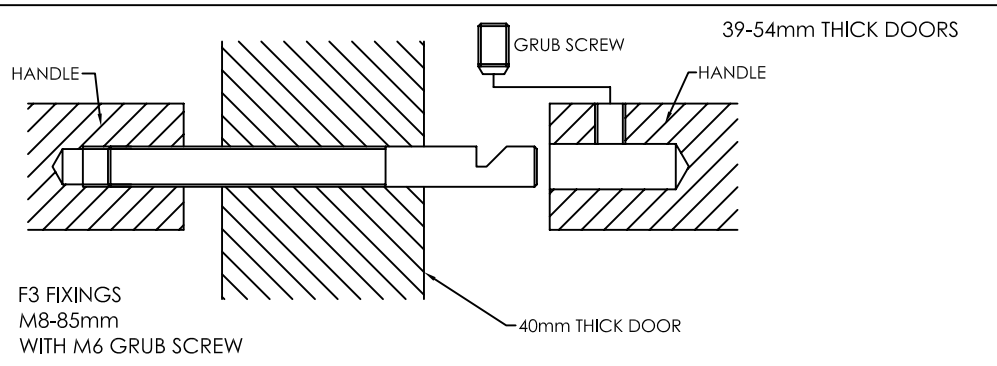
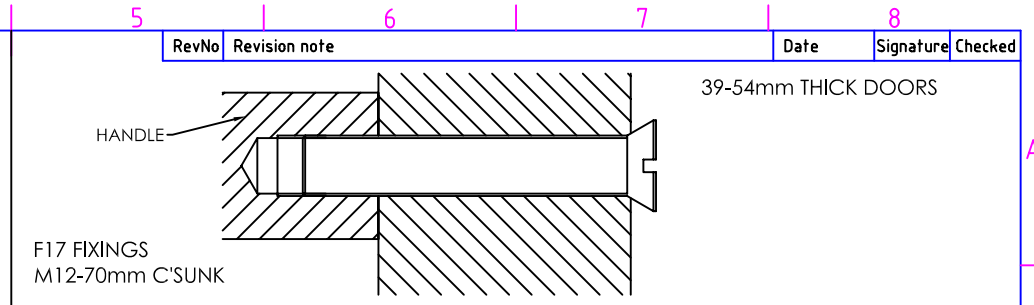
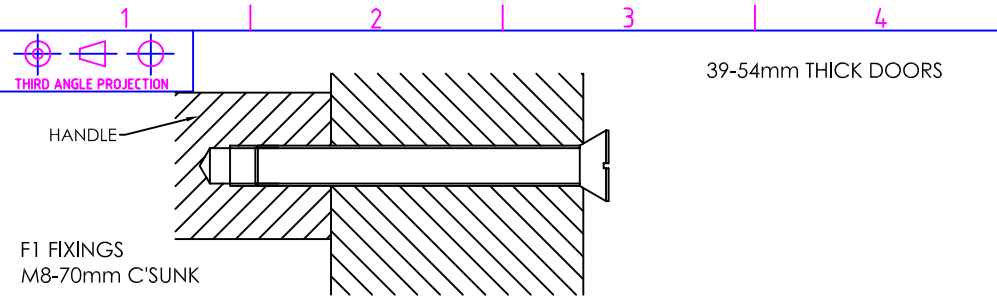
FOR GENERAL FIXING ARRANGEMENTS SEE
DRAWINGS FIXINGS DWG-01, DWG-02 & DWG-03

WHEN ORDERING PLEASE SPECIFY AS FOLLOWS: -

SERIES - PRODUCT CODE - LENGTH - Ø - BOLT THROUGH - FINISH - DOOR TYPE
BACK TO BACK ARRANGEMENT
98 - 327 b/b - TO SUIT - 32mm - s/s/s - GLASS



Itemref	Quantity	Title/Name, designation, material, dimension etc			Article No./Reference	
Designed by DNT DESIGNS	Checked by	Approved by - date 00/00/00	File name FUNCTIONAL 98-327	Date 02-06-2004	Scale 1:2	
		<small>A DIVISION OF - INTERNATIONAL ENGINEERING COMPANY LTD. HARWELL ROAD, NUFFIELD ESTATE POOLE BH17 0BD TEL: 01202 674272 FAX: 01202 680101. INFO@IECLTD.CO.UK WWW.IECLTD.CO.UK</small>			<h3>OLD STYLE 98 SERIES</h3>	
					98-327	Issue A

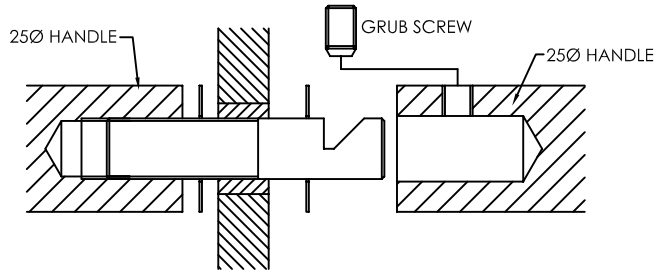


HOLE SIZES FOR FIXINGS
 FOR M12 FIXING HOLE SIZE THROUGH WOOD AND ALUMINIUM = 13 Ø
 FOR M12 FIXING HOLE SIZE THROUGH GLASS = 18 Ø

FOR M8 FIXING HOLE SIZE THROUGH WOOD AND ALUMINIUM = 9 Ø
 FOR M8 FIXING HOLE SIZE THROUGH GLASS = 12 Ø

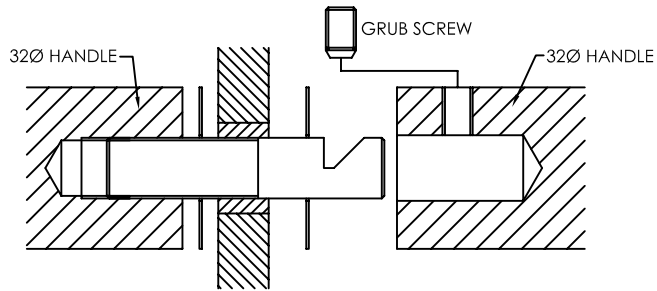
Itemref	Quantity	Title/Name, designation, material, dimension etc			Article No./Reference	
Designed by DNT DESIGNS	Checked by	Approved by - date 00/00/00	File name FIXINGS DWG-01	Date 14/06/04	Scale 1:1	
alpro		A DIVISION OF - INTERNATIONAL ENGINEERING COMPANY LTD. HARWELL ROAD, NUFFIELD ESTATE POOLE BH17 0BD TEL. 01202 676272 FAX. 01202 680101. INFO@IECLTD.CO.UK WWW.IECLTD.CO.UK			FIXINGS F1,F3,F4,F5,F17,F19 & F20	
DWG-01				Issue A	Sheet 1/1	

THIRD ANGLE PROJECTION



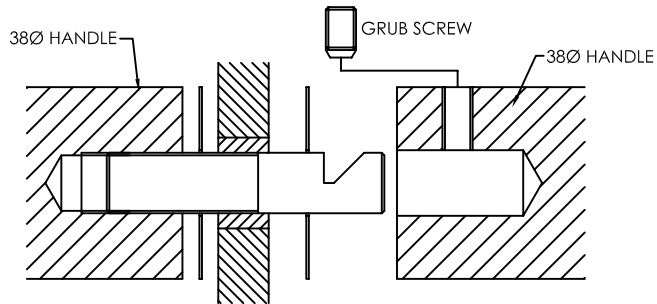
F21 FIXINGS FOR 25Ø HANDLE
M12-55mm
WITH M6 GRUB SCREW

GLASS DOORS



F21 FIXINGS FOR 32Ø HANDLE
M12-55mm
WITH M6 GRUB SCREW

GLASS DOORS

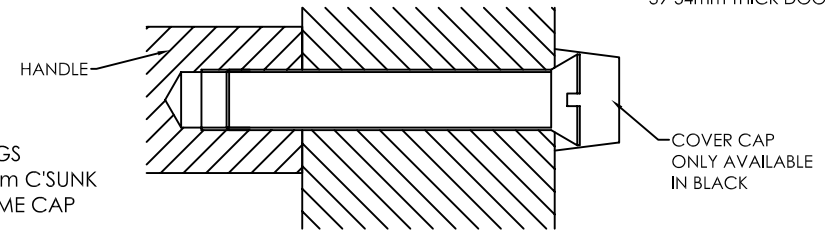


F21 FIXINGS FOR 38Ø HANDLE
M12-55mm
WITH M6 GRUB SCREW

GLASS DOORS

RevNo	Revision note	Date	Signature	Checked
-------	---------------	------	-----------	---------

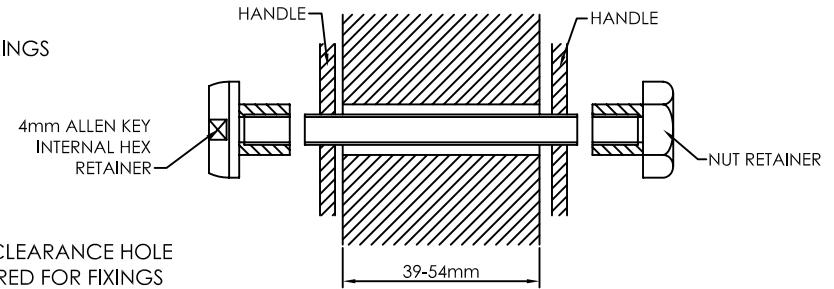
39-54mm THICK DOOR



F26 FIXINGS
M12-70mm C'SUNK
WITH DOME CAP

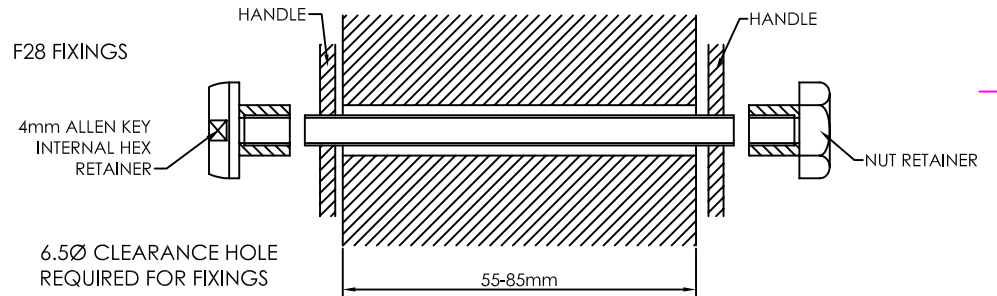
COVER CAP
ONLY AVAILABLE
IN BLACK

F27 FIXINGS



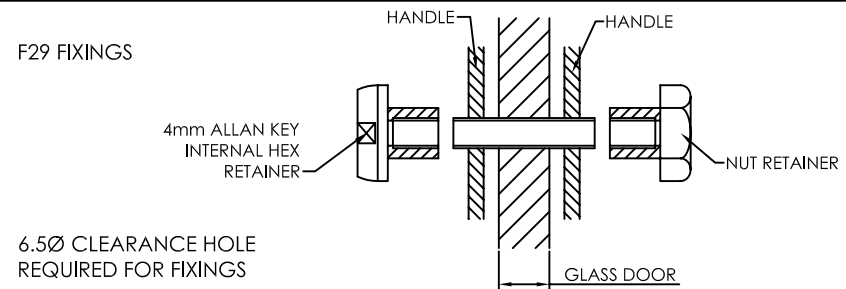
6.5Ø CLEARANCE HOLE
REQUIRED FOR FIXINGS

F28 FIXINGS



6.5Ø CLEARANCE HOLE
REQUIRED FOR FIXINGS

F29 FIXINGS



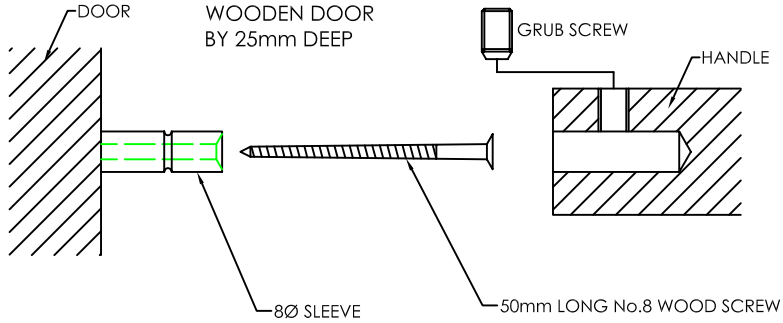
6.5Ø CLEARANCE HOLE
REQUIRED FOR FIXINGS

Itemref	Quantity	Title/Name, designation, material, dimension etc		Article No./Reference	
Designed by DNT DESIGNS	Checked by	Approved by - date 00/00/00	File name FIXINGS DWG-02	Date 14/06/04	Scale 1:1
			FIXINGS F26,F27,F28 & F29		
			DWG-02	Issue A	Sheet 1/1

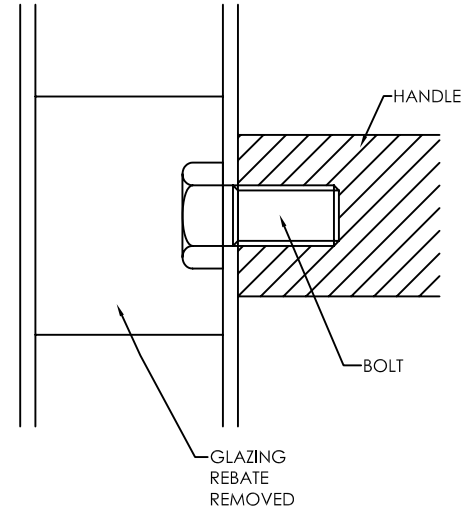
6 7 8

THIRD ANGLE PROJECTION

F6 SECRET FIXING FOR FIXING TO A WOODEN DOOR BY 25mm DEEP

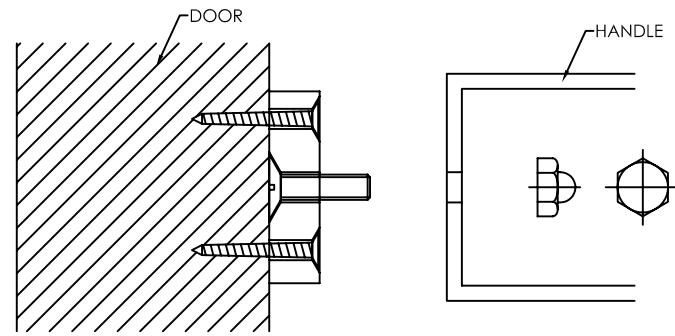
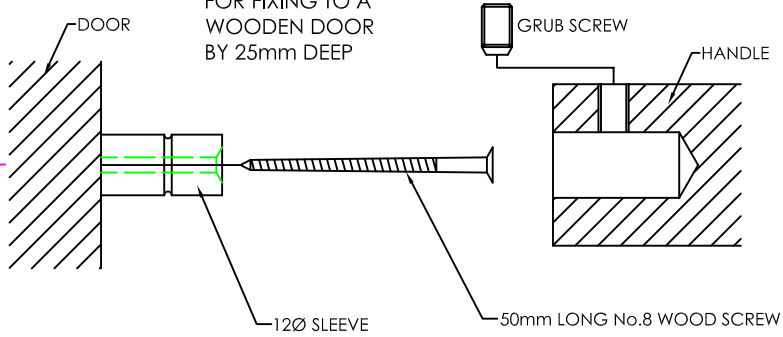


F34 - M12 FIXINGS
F35 - M8 FIXINGS



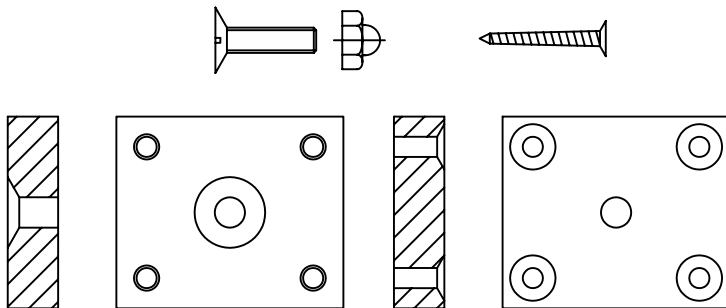
M12 x 25mm LONG
M8 x 25mm LONG
HEXAGON HEADED
BOLT GRADE 8.8

F7 SECRET FIXING FOR FIXING TO A WOODEN DOOR BY 25mm DEEP



F38 FIXING
WITH M6 x 20 LONG
C'SUNK BOLT AND
4 OFF No. 8 x 25mm
LONG WOOD SCREWS

(97 SERIES HANDLES ONLY)



Itemref	Quantity	Title/Name, designation, material, dimension etc			Article No./Reference	
Designed by DNT DESIGNS	Checked by	Approved by - date 00/00/00	File name FIXINGS DWG-03	Date 14/07/04	Scale 1:1	
			A DIVISION OF - INTERNATIONAL ENGINEERING COMPANY LTD. HARWELL ROAD, NUFFIELD ESTATE POOLE BH17 0BD TEL. 01202 676272 FAX. 01202 680101. INFO@IECLTD.CO.UK WWW.IECLTD.CO.UK			
			FIXINGS F6,F17,M12 & 97 DWG-03		Issue A	Sheet 1/1